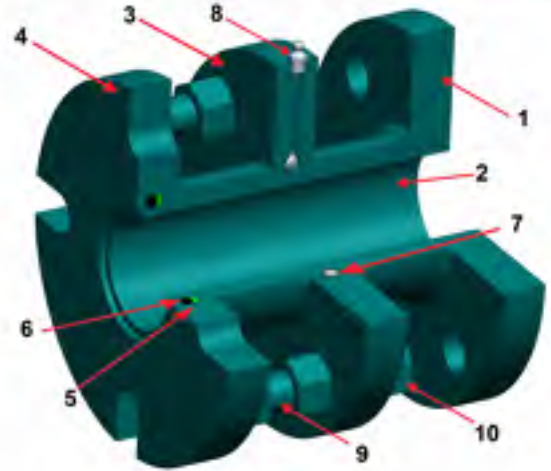
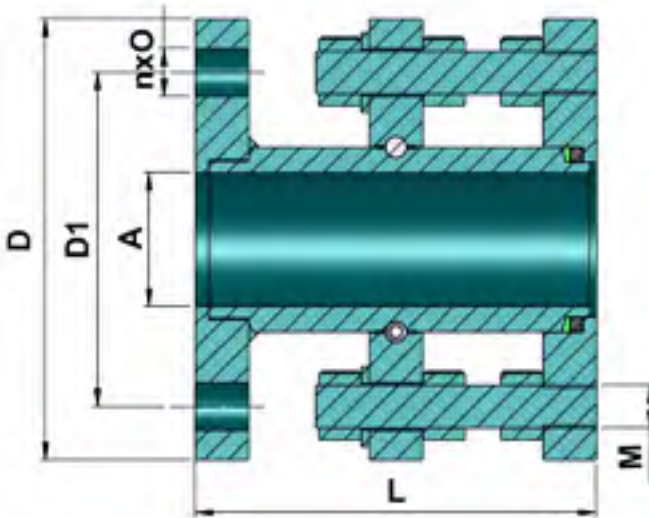


8000 SERIES SWIVEL JOINTS

- Sizes 2" (DN50) - 12" (DN300)
- Single ball race
- Materials: St52-3, 42CrMo4, AISI304, 316, 316TI
- Special Materials upon request
- Max. Temperature: (-45°C) - (200°C) / (-49°F) - (+392°F)
- Max. Pressure: 20 bar (290 psi)
- Connection: Flanged (DIN, ANSI, etc.)
- Seals: O-ring Seal with PTFE Back-up



8000 SERIES SWIVEL JOINT FLANGED CONNECTIONS



1	FRONT FLANGE	1
2	SHAFT	1
3	CENTRE FLANGE	1
4	BOTTOM FLANGE	1
5	BACK-UP	1
6	O-RING	1
7	BALL BEARING	x
8	GREASE RING	1
9	STUD BOLT	x
10	NUT	x
11*	SPACER	x
12*	BALL PLUG	1
13*	CAP SCREW	1

*not shown

DIMENSIONS AND WEIGHTS PN16 FLANGE (DIN 2633)

SIZE	A	D	D1	nxO	L	M	WEIGHT (kg)
2" DN50	50	185	125	4x18	150	M16	11
2 1/2" DN65	65	185	145	4x18	150	M16	13
3" DN80	80	200	160	4x18	150	M16	16
4" DN100	100	220	180	8x18	150	M16	19,5
5" DN125	125	250	210	8x18	150	M16	25
6" DN150	150	285	240	8x22	150	M20	30
8" DN200	200	340	295	12x22	200	M20	50
10" DN250	250	405	355	12x26	200	M24	55
12" DN300	300	480	410	12x27	200	M24	89

ANSI150 FLANGE (ASME 16.5)

SIZE	A	D	D1	nxO	L	M	WEIGHT (kg)
2" DN50	50	152.4	120.7	4x19.1	148	M16	12
2 1/2" DN65	65	177.8	139.7	4x19.1	154	M16	14
3" DN80	80	190.5	152.4	4x19.1	154	M16	17
4" DN100	100	228.6	190.5	8x19.1	154	M16	22
5" DN125	125	254	215.9	8x22.4	154	M16	26
6" DN150	150	279.4	241.3	8x22.4	157	M20	31
8" DN200	200	342.9	298.5	12x22.4	204	M20	53
10" DN250	250	406.4	362	12x25.4	204	M24	73
12" DN300	300	482.6	431.8	12x25.4	204	M24	90