

9000 SERIES SWIVEL JOINTS

- Sizes 1/4" (DN08) - 2 1/2" (DN65)
- Straight design
- Single ball race upto 3/4"
- Dual ball race higher than 3/4"
- Materials: St52-3, 42CrMo4, AISI304, 316, 316TI
- Special Materials upon request

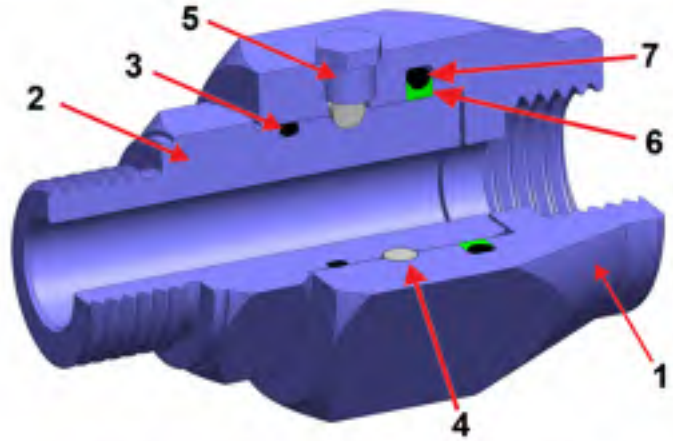
Max. Temperature: (-50°C) - (250°C)
(-58°F) - (+437°F)

Max. Static Pressure: 400 bar (5800 psi)

Max. Dynamic pressure: 200 bar (2900 psi)

Connection: Threaded (BSP, NPT, Metric, etc.)

Seals: - O-ring Seal with PTFE Back-up



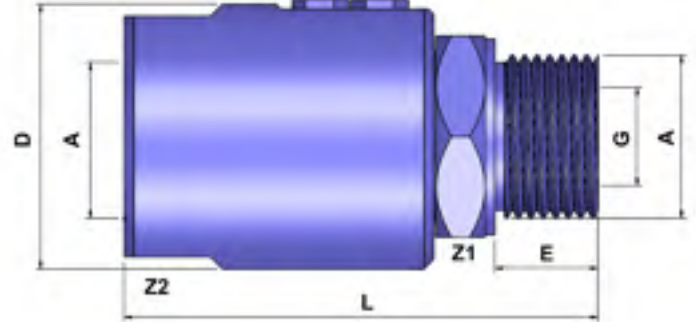
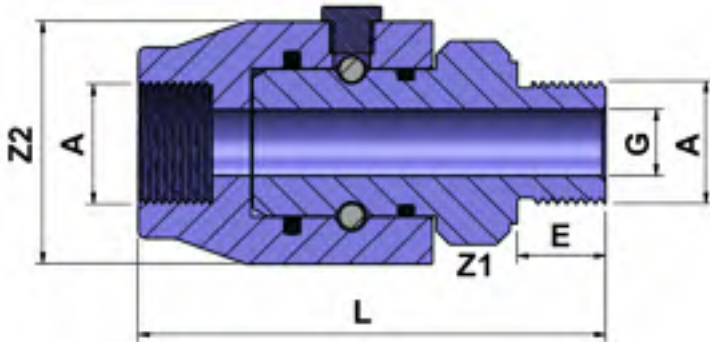
1	HOUSING	1
2	SHAFT	1
3*	O-RING	1
4*	BALL BEARING	X
5*	BALL PLUG	X
6*	BACK-UP	1
7*	SEAL O-RING	1

*spare parts set

9000 SERIES SWIVEL JOINT THREADED CONNECTIONS

≤3/4"

>3/4"



DIMENSIONS AND WEIGHTS

A	D	E	G	L	Z1	Z2	WEIGHT (kg)
1/4"	DN08	X	10	6,5	19	28	0,2
3/8"	DN10	X	12	9	24	33	0,3
1/2"	DN15	X	14	12	27	38	0,5
3/4"	DN20	X	19	16	34	47	0,7
1"	DN25	54	21	20	41	49	1
1 1/4"	DN32	59	24	28	50	54	1,3
1 1/2"	DN40	69	25	34	55	64	1,80
2"	DN50	79	27	44	68	74	2,20
2 1/2"	DN65	94	30	58	84	88	3,00

9000 SERIES SWIVEL JOINTS

- Sizes 1/4" (DN08) - 2 1/2" (DN65)
- Radial design
- Single ball race upto 1/2"
- Dual ball race higher than 3/4"
- Materials: St52-3, 42CrMo4, AISI304, 316, 316TI
- Special Materials upon request

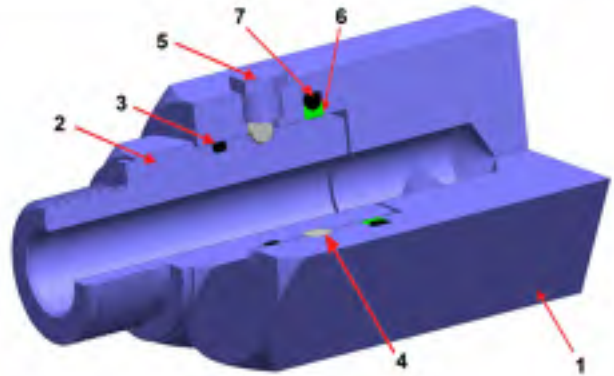
Max. Temperature: (-50°C) - (250°C)
(-58°F) - (+437°F)

Max. Static Pressure: 400 bar (5800 psi)

Max. Dynamic pressure: 200 bar (2900 psi)

Connection: Threaded (BSP, NPT, Metric, etc.)

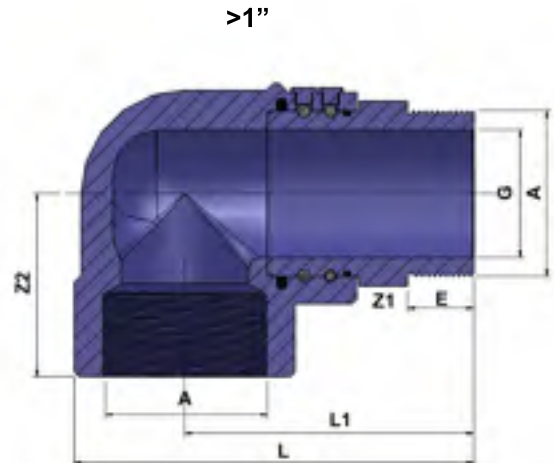
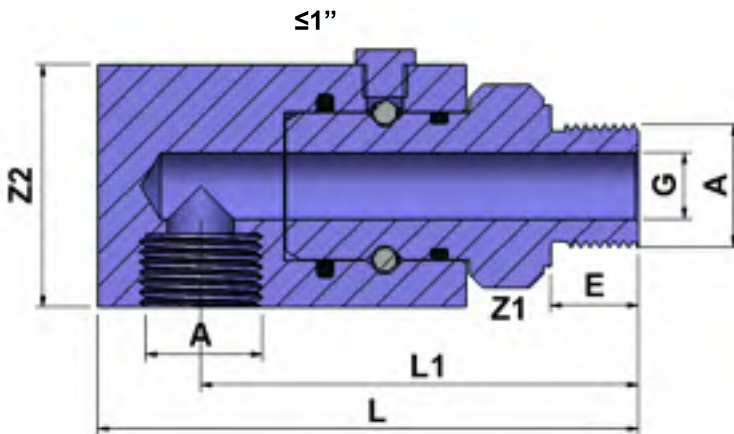
Seals: - O-ring Seal with PTFE Back-up



1	HOUSING	1
2	SHAFT	1
3*	O-RING	1
4*	BALL BEARING	X
5*	BALL PLUG	X
6*	BACK-UP	1
7*	SEAL O-RING	1

*spare parts set

9000 SERIES SWIVEL JOINT THREADED CONNECTIONS



DIMENSIONS AND WEIGHTS

A	E	G	L1	L	Z1	Z2	WEIGHT (kg)	
1/4"	DN08	10	6,5	54,5	64,5	19	28	0,25
3/8"	DN10	12	9	59,5	73,5	24	33	0,40
1/2"	DN15	14	12	65	80	27	38	0,60
3/4"	DN20	19	16	74,5	96,5	34	47	1,10
1"	DN25	21	20	91	113,5	41	26,5	1,60
1 1/4"	DN32	24	28	97	128,5	50	56,5	2,00
1 1/2"	DN40	25	34	108,5	145	55	62	2,80
2"	DN50	27	44	121	162,5	68	83	4,00
2 1/2"	DN65	30	58	131	181	84	83	6,00